

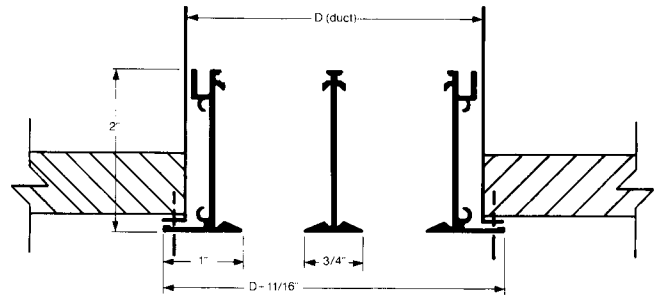
Type IV – Flange frame with screw mount.

For 1/2" slot, center T extrusion changes to 1" – outer flange changes to 1-1/8"

1/2" model available only with aluminum adjustable pattern device.

6063 Alloy Extruded Aluminum Construction

- 1/2" Slot 3/4" Slot 1" Slot



Number of Slots	1	2	3	4	5	6	7	8	9	10
"D" Dimension 1/2"-3/4"	2-1/16	3-9/16	5-1/16	6-9/16	8-1/16	9-9/16	11-1/16	12-9/16	14-1/16	15-9/16
"D" Dimension 1"	2-5/16	4-1/16	5-13/16	7-9/16	9-5/16	11-1/16	12-13/16	14-9/16	16-5/16	18-1/16

The suffix "-wide" will add 1/8" to the flange width and 1/4" to the overall dimension.

Performance data on pages 30-35

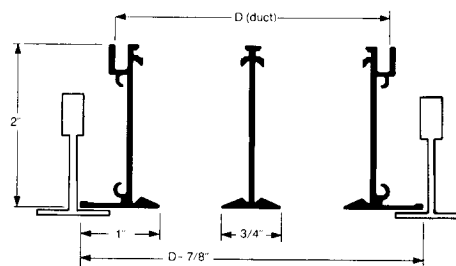
Type V – T-Bar mount with flange frame.

For 1/2" slot, center T extrusion changes to 1" – outer flange changes to 1-1/8"

1/2" model available only with aluminum adjustable pattern device.

6063 Alloy Extruded Aluminum Construction

- 1/2" Slot 3/4" Slot 1" Slot



Number of Slots	1	2	3	4	5	6	7	8	9	10
"D" Dimension 1/2"-3/4"	1-7/8	3-3/8	4-7/8	6-3/8	7-7/8	9-3/8	10-7/8	12-3/8	13-7/8	15-3/8
"D" Dimension 1"	2-1/8	3-7/8	5-5/8	7-3/8	9-1/8	10-7/8	12-5/8	14-3/8	16-1/8	17-7/8

The suffix "-wide" will add 1/8" to the flange width and 1/4" to the overall dimension.

Performance data on pages 30-35

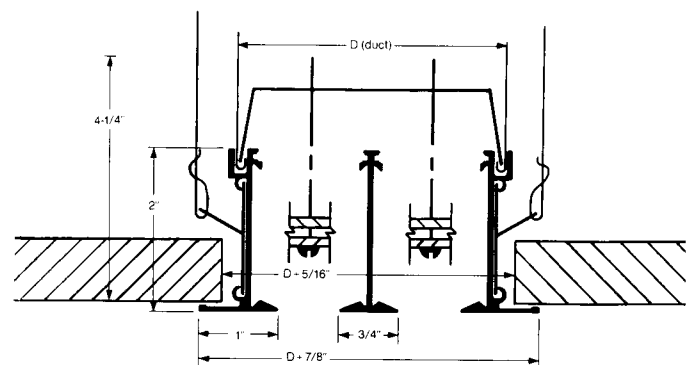
Type VI – Wire suspension mount.

For 1/2" slot, center T extrusion changes to 1" – outer flange changes to 1-1/8"

1/2" model available only with aluminum adjustable pattern device.

6063 Alloy Extruded Aluminum Construction

- 1/2" Slot 3/4" Slot 1" Slot



Number of Slots	1	2	3	4	5	6	7	8	9	10
"D" Dimension 1/2"-3/4"	1-7/8	3-3/8	4-7/8	6-3/8	7-7/8	9-3/8	10-7/8	12-3/8	13-7/8	15-3/8
"D" Dimension 1"	2-1/8	3-7/8	5-5/8	7-3/8	9-1/8	10-7/8	12-5/8	14-3/8	16-1/8	17-7/8

The suffix "-wide" will add 1/8" to the flange width and 1/4" to the overall dimension.

Performance data on pages 30-35