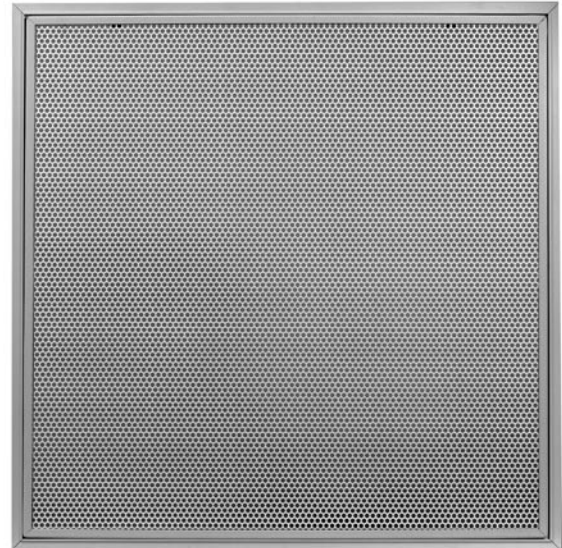
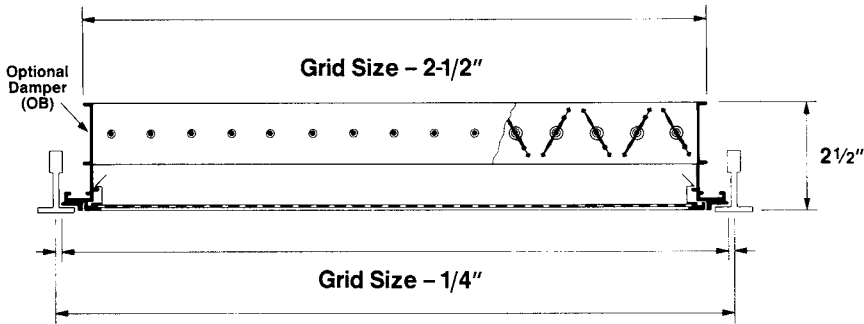


Perforated Return Ceiling Diffuser

model **PCRT(OB)**



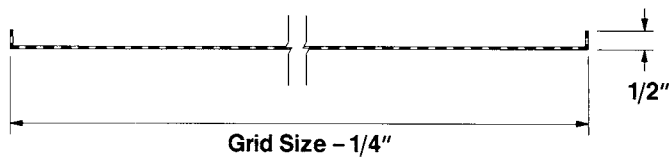
product description

The PCRT is the companion return model used with the entire PS series of products. This model is utilized when a round or smaller size square duct is undesirable. It features all aluminum construction with a removable face for cleaning or maintenance after installation. Suitable for attaching either metal or fiberglass duct work. Standard finish is white paint.

Model available for narrow T-bar ceiling – must have suffix “-NT” added to model number. Adaptor frame model PFT in the accessory section may be used with this product in order to install this frame on a plaster or similar ceiling.

Perforated Return Ceiling Diffuser

model **PFP-B**



product description

The model PFP-B is utilized for non-ducted applications. The unit is of all aluminum construction, and is furnished with a white painted finish as standard.

Model available for narrow T-bar ceiling – must have suffix “-NT” added to model number. Adaptor frame model PFT in the accessory section may be used with this product in order to install this frame on a plaster or similar ceiling.

