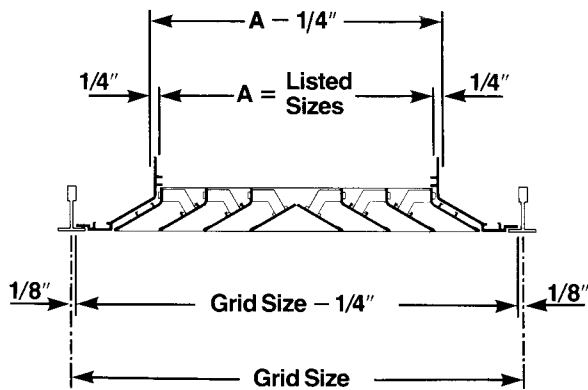
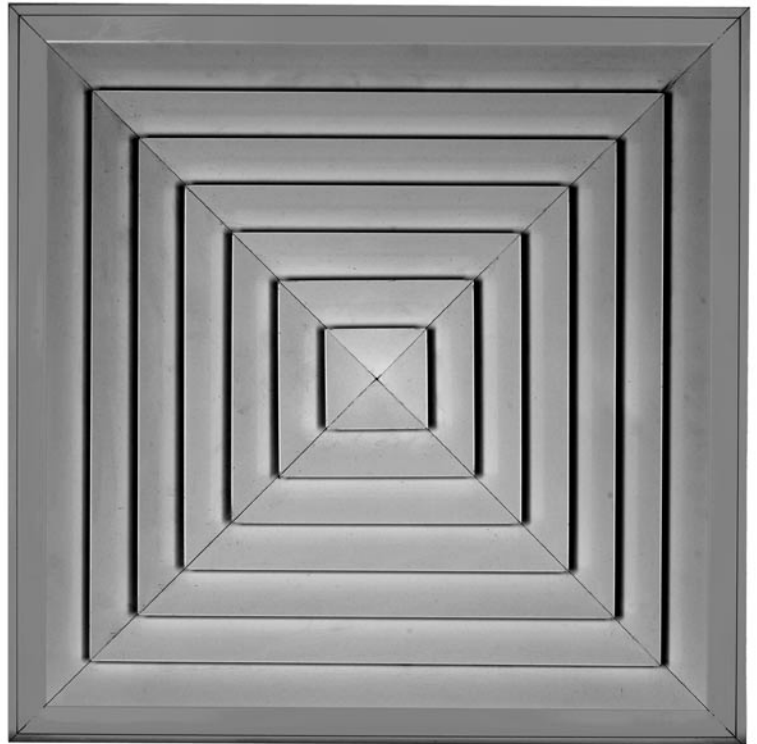


AVP-T



\*AVP-R frame detail



Grid sizes less 6" equals nominal duct size.

### product description

Frame and blades are 6063 extruded aluminum alloy with 200-R1 satin anodized finish. The special frame of this model is designed so that, when mounted directly on an inverted T-bar, the unit lies flush with the ceiling system.

The core of this model is fully removable for easy installation. When installed in a regressed ceiling, the diffuser drops 3/8" to install flush to the ceiling plane.

This model is designed to fit the following T-bar systems: 24" x 24", 24" x 36", 24" x 48", 36" x 36", and 48" x 48". The listed size of this diffuser is 6" smaller than the T-bar

system into which it fits, such as, an 18" x 18" will fit into a 24" x 24" grid system.

An optional opposed blade damper mounts through a series of spring clips and is lever-operated from the face of the unit. The damper frame is separated from the blades with nylon bushings... this method of assembly eliminates corrosion and vibration.

Square and rectangular patterns are available.

Available in clear anodized, white or a variety of custom colors.

*\*When installed in a regressed ceiling, the diffuser drops 3/8" to install flush to the ceiling plane.*

available options	depth of unit	test data
<b>AVP-T</b> T-bar lay-in ceiling diffuser.	2-1/2"	TD 15-22
<b>AVP-T-OB</b> T-bar lay-in ceiling diffuser with opposed blade damper.	3-3/8"	TD 15-22
<b>AVP-T-OB-EG</b> T-bar lay-in ceiling diffuser with opposed blade damper and equalizing grid.	5"	TD 15-22
<b>AVP-T-OB-SR</b> T-bar lay-in ceiling diffuser with opposed blade damper and square-to-round adapter.	4-1/2"	TD 15-22

AIRGUIDE MANUFACTURING  
795 WEST 20<sup>TH</sup> STREET  
HIALEAH, FLORIDA 33010  
PHONE: (305) 888-1631