



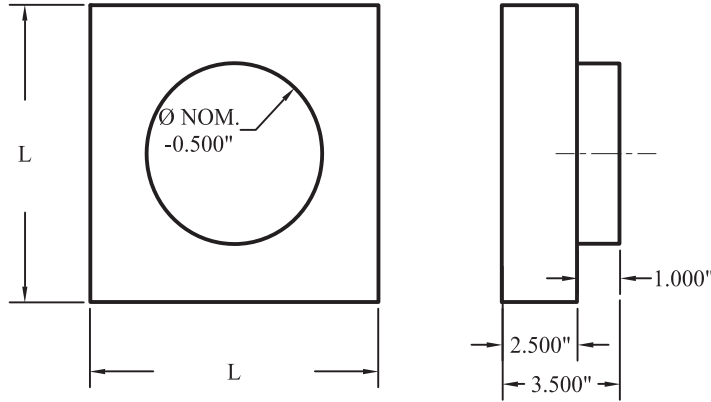
ACCESSORIES

SQUARE TO ROUND ADAPTORS

MODELS: SR

SUSTAINABLE EXTRUDED ALUMINUM

Dimensions are in inches



MODEL	L
SRA	NOM. + 3/16"
SRB	NOM. - 1/2"
SRC	NOM. - 1/4"
SRD	NOM.

SR

Square to round adaptor.

DESCRIPTION:

1. The model SR is a 26-gauge galvanized steel square-to-round adapter that is field-installed to allow the use of flexible or metal duct.
2. It can be mounted on any product and in all cases the round dimension must be 2" smaller than the square dimension with the exception of the AVP product line which allows for the round dimension to be identical to the square dimension, i.e., 12" square neck with 12" round connection.
3. In all instances a 10" round connection would be the largest available for a 12" x 12" neck dimension. A 3" collar is provided.

Options:

OBFL (Fire link)

PROJECT:

ENGINEER:

CONTRACTOR:

DATE

SERIES

DRAWING NO.