

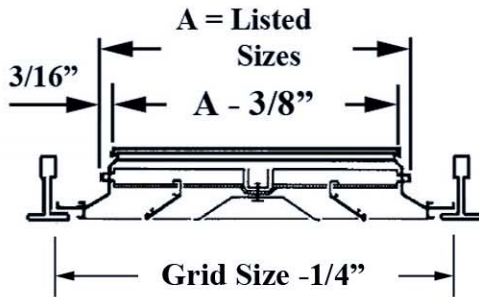
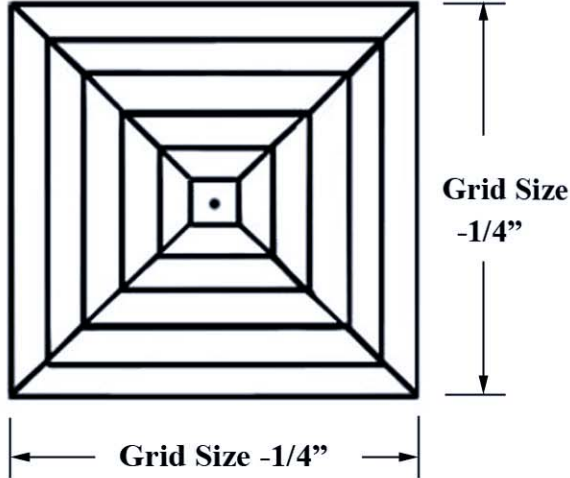
T-BAR DIFFUSERS

PANEL MOUNTED CEILING DIFFUSERS FOR T-BAR MOUNTING

MODELS: JST

SUSTAINABLE EXTRUDED ALUMINUM

Dimensions are in inches (mm)



MODEL:

JST-4



JST

Panel mounted ceiling diffuser for T-bar mounting

DESCRIPTION:

1. Frame and blades are 6063 extruded aluminum alloy with 200-R1 satin anodized finish.
2. At the outer edge of the frame is a specially engineered channel which retains an extruded flexible vinyl gasket that produces a positive air seal at the mounting surface, minimizing smudging.
3. This model increases in 2" increments beginning with 6"x6" through 24"x24" as the largest size. The core is non-removable.
4. Standard finish is Anodized. Other finishes are available.
5. JS-T is available only in the 20" x 20" neck size for 24" x 24" grid.

OPTIONS:

1. Finish

- ANOD Clear Anodized
- WHITE
- MB Medium Bronze
- B Black
- Custom _____

2. Other

- JS-PLT
- JS-PLT-OB
- JS-PLT-OB-FL

PROJECT:

ENGINEER:

CONTRACTOR:

DATE

SERIES

DRAWING NO.