

RETURN GRILLES AND REGISTERS SERIES

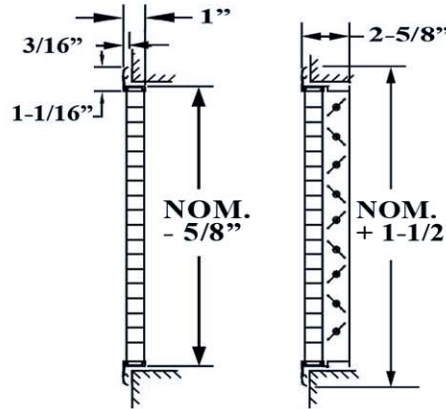
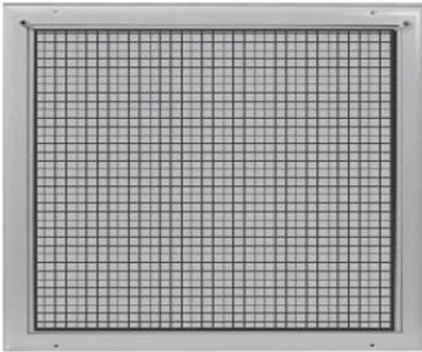
EGG CRATE RETURN GRILLES AND REGISTERS

MODELS: RAAG (OB), RAAG 1X1X1, RAP(OB)

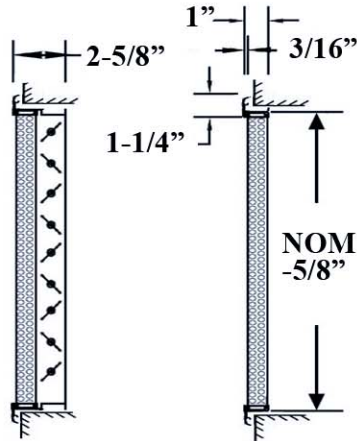
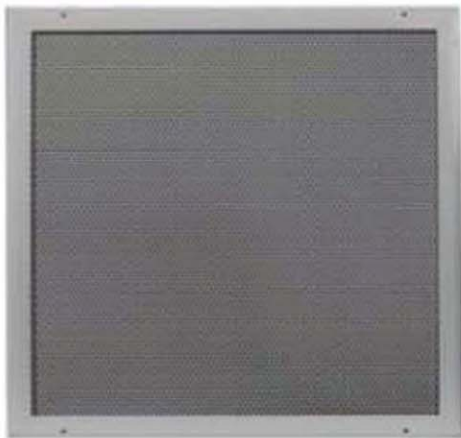
SUSTAINABLE EXTRUDED ALUMINUM

Dimensions are in inches (mm)

RAAG



RAP



RAAG

Egg crate return grille

RAAG-OB

Egg crate return grille with opposed blades damper.

RAP

Return grille with aluminum plate

RAP-OB

Return grille with aluminum plate and opposed blades damper.

DESCRIPTION:

1. The Model RAAG utilizes 1/2" x 1/2" x 1/2" or 1" x 1" x 1" woven mill-finish aluminum eggcrate .015" thick and has square contour frame. Frame and blades are 6063 extruded aluminum alloy with 200-R1 satin anodized finish.
2. The Model RAP utilizes a .032" thick aluminum plate with perforated holes 3/16" in diameter and 1/4" on center, painted with a white lacquer white.
3. The frame mounting holes are dimpled, allowing for a counter-sunk fastener head appearance.
4. An optional opposed blade damper is attached to the return grille with positive-locking spring clips. It has the same aluminum construction and is screwdriver-operated through the face of the unit.
5. Available in clear anodized, white or a variety of custom colors.

OPTIONS:

1. Finish

- ANOD Clear Anodized
- WHITE
- MB Medium Bronze
- B Black
- Custom _____

PROJECT:

ENGINEER:

CONTRACTOR:

DATE

SERIES

DRAWING NO.