



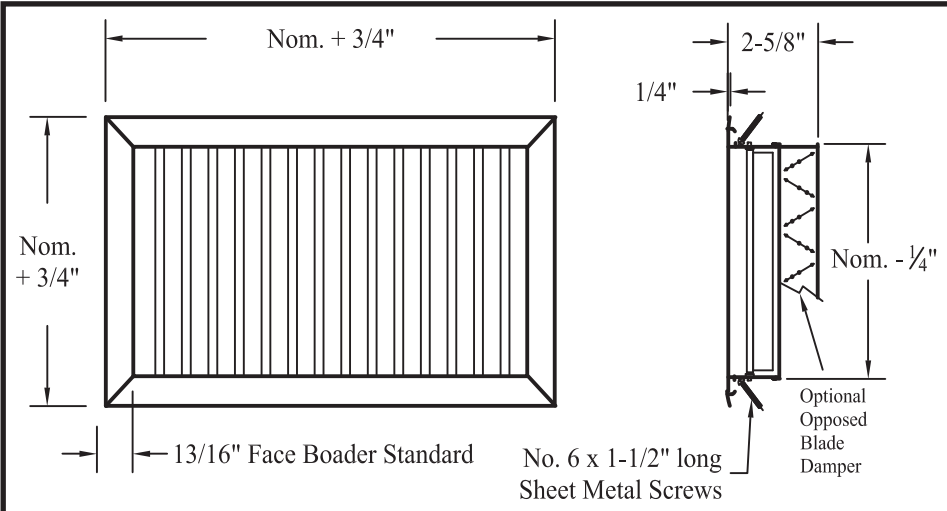
**SIDEWALL SERIES**

**THINLINE SINGLE DEFLECTION SUPPLY GRILLES**

**MODELS: T-V, T-H**

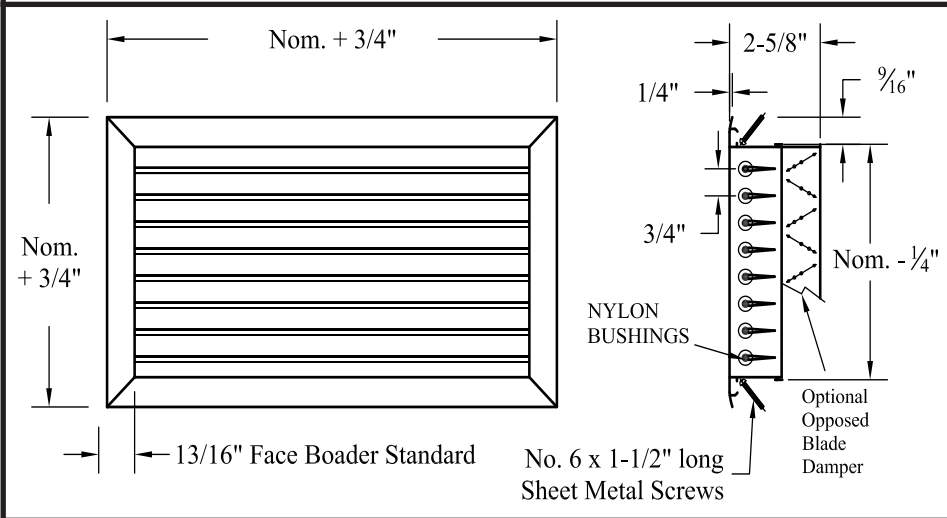
**SUSTAINABLE EXTRUDED ALUMINUM**

**Dimensions are in inches**



**T-V**

Thinline Single Deflection Supply Grille with Blades Parallel to the Vertical Dimension.



**T-H**

Thinline Single Deflection Supply Grille with Blades Parallel to the Horizontal Dimension.

**DESCRIPTION:**

1. Construction: 6063 Extruded aluminum frame mechanically interlocked with hairline mitered corner for strength. A single set of 6063 extruded aluminum blades on with 3/4" spacing provides air control in a single plane. Blades are individually adjustable with zero metal-to-metal contact with the use of nylon bushings to eliminate noise, corrosion and vibration. Extruded flexible vinyl gasket is standard and produces a perfect positive air seal.
2. Optional screwdriver operated opposed blade damper with nylon bushings.
3. All blades are airfoil in design, individually adjustable and spaced 3/4" on center. At the outer edge of the frame is a specially engineered channel which retains an extruded flexible vinyl bulb gasket that produces a positive air seal at the mounting surface, minimizing smudging.
4. Standard fastening is countersunk screw holes.
5. Standard finish is White.

**OPTIONS:**

1. Finish
  - White
  - ANOD Clear Anodized
  - Medium Bronze
  - Black
  - Custom \_\_\_\_\_
2. Options
  - OBFL (Fire link)
  - PF (Plaster Frame)
  - PLT
3. Frame style
  - Beveled Frame Available
  - ME (square contour) Frame

**PROJECT:**

**ENGINEER:**

**CONTRACTOR:**

**DATE**

**SERIES**

**DRAWING NO.**