



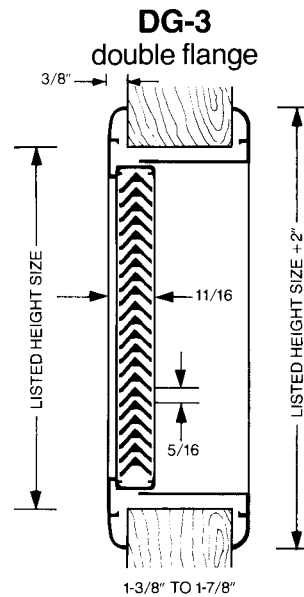
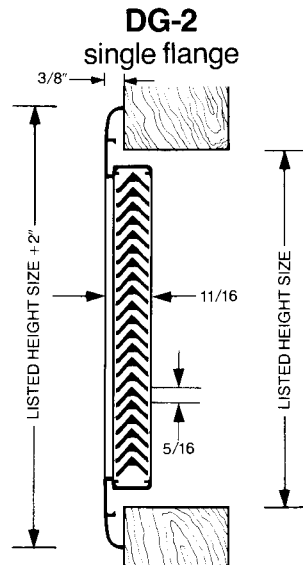
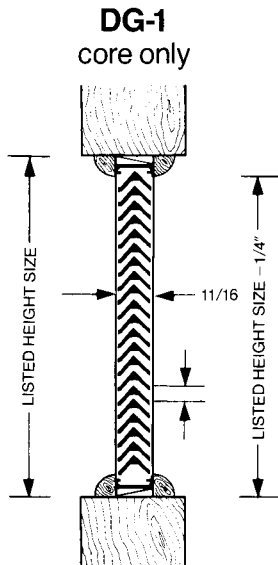
**product description**

Frame and blades are 6063 extruded aluminum alloy with 200-R1 satin anodized finish. Blades are chevron in configuration and are mounted in a fixed position in a rigid PVC track which is an integral part of the frame. It adjusts to suit a door thickness from 1 3/8" to 1 7/8". The frame mounting holes are dimpled, allowing for a counter-sunk fastener head appearance. The core-free area of this unit is 60%.

Available in clear anodized, white or a variety of custom colors.

Sizes other than shown are available.

**Air Capacity Chart**  
See Page TD-13

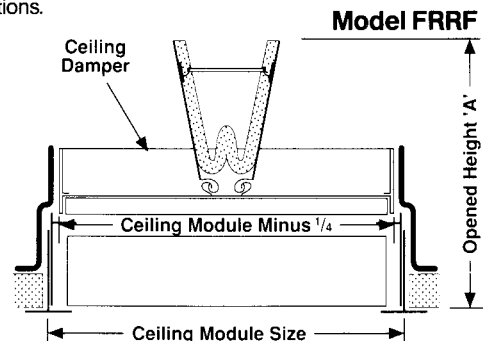
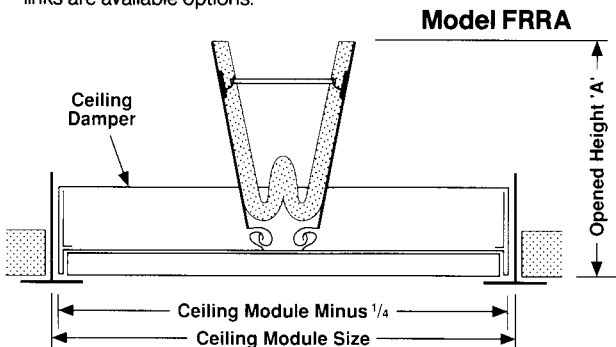


**product description**

The model FRRR is a UL listed ceiling diffuser assembly that allows the matching AirGuide return grilles to be used as an insert to match other product installed on the project. The RA-T, AG-T, RACB-T, RA-0 degree-T and PG-T inserts may be specified. The product meets the UL time versus temperature test criteria and NFPA 90A requirements. The product may be used in 4 hours or less fire-rated suspended ceilings. Available in 24x24", 24x12" and 12 x 12" nominal size. Standard construction is galvanized steel with a 165 degree link. Stainless steel construction and higher temperature links are available options.

**product description**

The model FRRF is a UL listed ceiling diffuser assembly that allows the matching AirGuide filter return grilles or return grill with opposed blade damper insert to match other product installed on the project. The RF-2-T, RF-2-CB-T, RF-2-AG, RF-2-PG RAOB, RAAG-OB, RAPG-OB and RACB-OB grilles may be specified. This product meets the UL time versus temperature test criteria and NFPA 90A requirements. The product may be used in 4 hours or less fire-rated suspended ceilings. Available in 24x24", 24x12" and 12x12" nominal sizes. Standard construction is galvanized steel with a 165 degree link. Stainless steel construction and higher temperature links are available options.



ALL UNITS MUST BE INSTALLED STRICTLY IN ACCORDANCE WITH THE SUPPLIED INSTALLATION INSTRUCTIONS IN ORDER TO COMPLY WITH THE UL CLASSIFICATION.