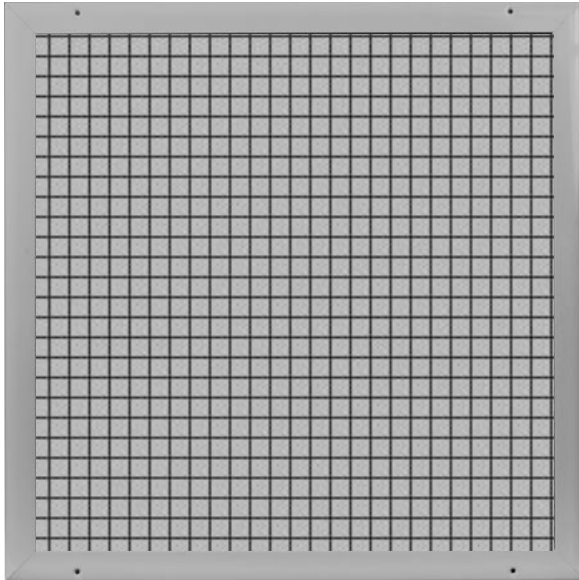
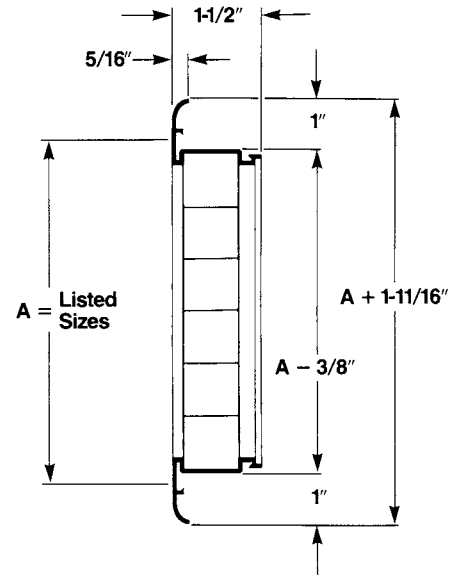


model **RA-AG**
with a 1" x 1" x 1" grid

Return Grille



RA-AG
1" x 1" x 1" Alum. Grid
90% free area



Model available for narrow T-bar ceiling – must have suffix "-NT" added to model number.

Listed Sizes

dimension A		dimension B	
(ins)	(mm)	(ins)	(mm)
4	102	4	102
6	153	6	153
8	204	8	204
10	254	10	254
12	305	12	305
14	356	14	356
16	407	16	407
18	457	18	457
20	508	20	508
22	559	22	559
24	610	24	610
26	660	26	660
28	711	28	711
30	762	30	762
32	813	32	813
34	864	34	864
36	915	36	915
38	965	38	965
40	1006	40	1006
42	1067	42	1067
44	1117	44	1117
46	1168	46	1168
48	1219	48	1219

Sizes other than shown are available.

AIRGUIDE MANUFACTURING
795 WEST 20TH STREET
HIALEAH, FLORIDA 33010
PHONE: (305) 888-1631

RG-6

product description

The frame is 6063 extruded aluminum alloy with 200-R1 satin anodized finish. It has a typical wall thickness of .050".

Model RA-AG utilizes 1"x1"x1" mill-finish aluminum grid .025" thick.

The frame mounting holes are dimpled, allowing for a counter-sunk fastener head appearance.

An optional opposed blade damper is attached to the return grille with positive-locking spring clips and is screwdriver-operated through the face of the unit. It has injection-molded nylon bushings and the same extruded aluminum construction.

Suitable for ceiling, sidewall and T-bar applications.

Available in clear anodized, white or a variety of custom colors.

available options	depth of unit	test data
RA-AG Return air grille with aluminum grid.		TD-12
RA-AG-T Return air grille to fit T-bar mounting available with aluminum grid. Also available with opposed blade damper or opposed blade damper with fire link. (Fire link only is UL-listed.) Mounting holes in the frame are deleted. When ordering this model, specify T-bar grid size.		TD-12
RA-AG-OB Return air register with aluminum grid and opposed blade damper.		TD-12
RA-AG-OB-PLT Return air register with opposed blade damper mounted in aluminum panel to fit exposed T-bar system with aluminum grid. When ordering this model, specify ceiling grid size. Maximum size is 4" less than grid dimension.		TD-12

SPECIAL NOTE:

A fusible link may be added to any model with opposed blade damper by adding the suffix FL.

A plaster frame may be added to any model with or without opposed blade damper by adding the suffix PF.