



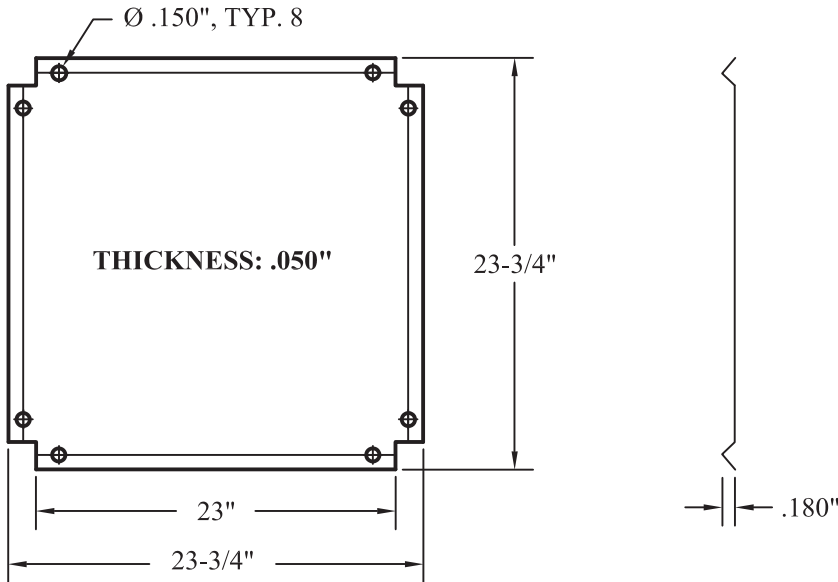
**ACCESSORIES**

**PANEL LAY-IN T-BAR**

**MODELS: PLT**

**SUSTAINABLE EXTRUDED ALUMINUM**

**Dimensions are in inches**



**PLT**

Panel Lay-in T-Bar.

**DESCRIPTION:**

1. Panel lay-in T-Bar (PLT) is available in aluminum or steel.
2. The standard grid size is 24" x 24". It can also be custom made to fit the following T-bar systems: 24" x 36", 24" x 48", 36" x 36", and 48" x 48".

**Options:**

1. Finish

- ANOD (Clear Anodized)
- Medium Bronze
- Black
- Custom \_\_\_\_\_

**PROJECT:**

**ENGINEER:**

**CONTRACTOR:**

**DATE**

**SERIES**

**DRAWING NO.**