

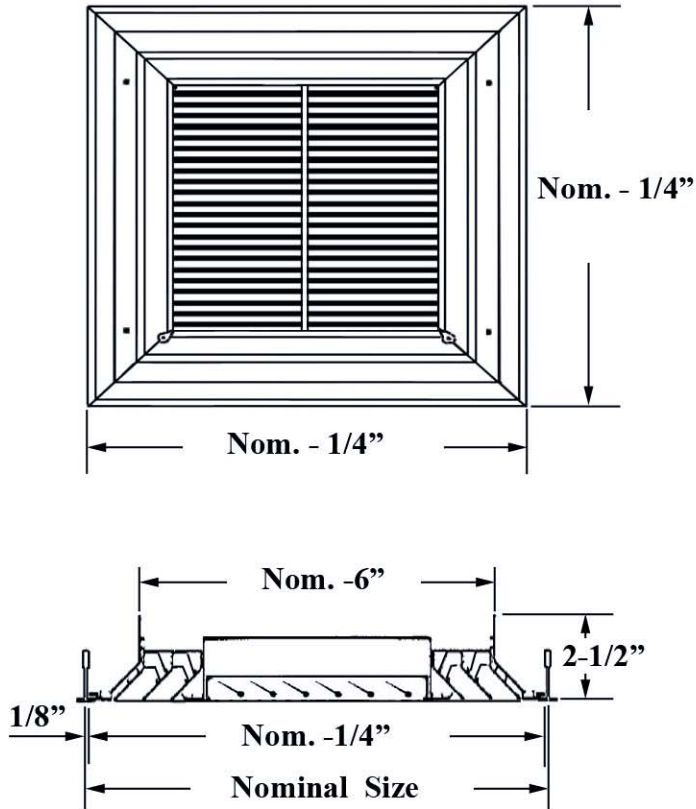
CEILING DIFFUSERS

COMBINATION SUPPLY-RETURN CEILING DIFFUSERS

MODELS: AVPRF2T

SUSTAINABLE EXTRUDED ALUMINUM

Dimensions are in inches (mm)



MODEL:

AVPRF2T



AVPRF2T

Combination Supply-Return Ceiling Diffuser for T-bar Application.

DESCRIPTION:

1. This model is designed to serve both supply and return air needs in a single unit: conditioned air is supplied at the outer perimeter, and the return is through the center. It is used in T-bar application.
2. The return air filter core swings in and out of its frame by means of two concealed pivot pins, and is held in place by two injection molded nylon locking devices permanently attached to the mounting frame and located at the two corners opposite the pin side.
3. Air capacities of 400 CFM through 10,000 CFM can be handled by these units.
4. An optional opposed blade damper for the return side is operated by removing the return core. The damper frame is separated from the blades with nylon bushings. This method of assembly eliminates corrosion and vibration.
5. Standard finish is Anodized. Other finishes are available.

OPTIONS:

1. Finish

- ANOD Clear Anodized
- WHITE
- MB Medium Bronze
- B Black
- Custom _____

2. Frame style

- Square contour frame

PROJECT:

ENGINEER:

CONTRACTOR:

DATE

SERIES

DRAWING NO.