



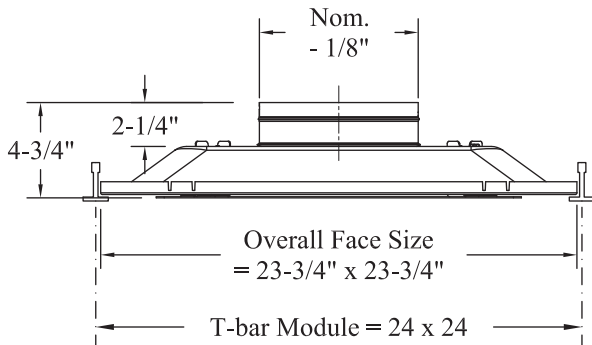
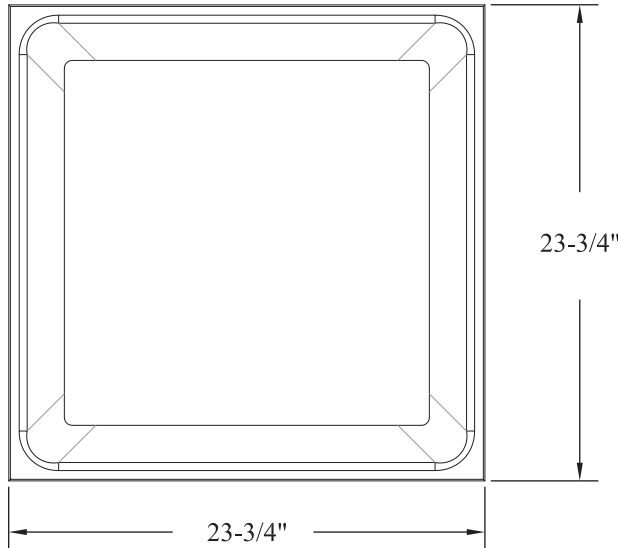
**T- BAR DIFFUSERS**

HIGH CAPACITY DIFFUSERS FOR T-BAR APPLICATIONS

**MODELS: PD-T**

**ALUMINIZED STEEL**

**Dimensions are in inches**



**PD-T**

High capacity diffuser for T-bar installation.

**DESCRIPTION:**

1. The model PD-T is a high capacity diffuser for 24" x 24" T-bar installation. It is manufactured with aluminized steel to give the durability of aluminum with the strength of steel.
2. This model is available in 6", 8", 10", 12", and 14" diameters. It provides a horizontal 360 degree air pattern with exceptional performance in all CFM ranges including variable air volume systems.
3. A steel damper (model OBR) accessible through the face is available in all diameters.
4. Standard finish is white.

**Options:**

1. Finish

- White
- ANOD (Clear Anodized)
- Medium Bronze
- Black
- Custom \_\_\_\_\_

2. Other

- PD-S
- PD-T-FL

**PROJECT:**

**ENGINEER:**

**CONTRACTOR:**

**DATE**

**SERIES**

**DRAWING NO.**