

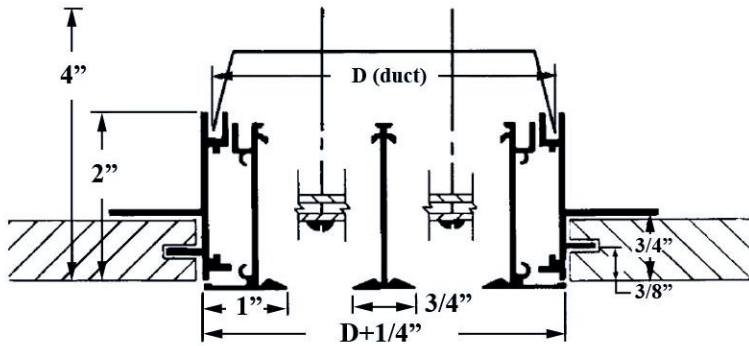
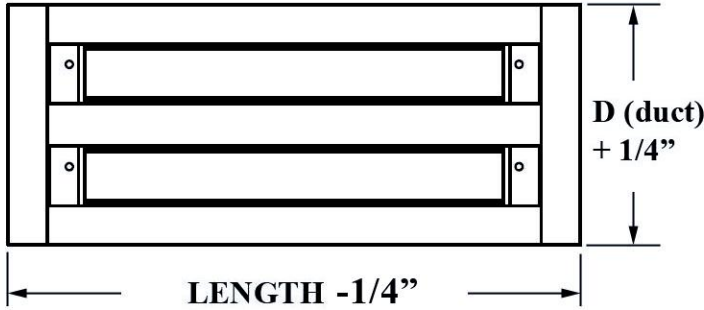
AIR SLOT DIFFUSERS

PLASTER OR TILE MOUNT WITH FLANGE FRAME

MODELS: ASD TYPE II

SUSTAINABLE EXTRUDED ALUMINUM

Dimensions are in inches (mm)



Number of Slots	1	2	3	4	5
"D" Dimension 1/2"-3/4"	2-1/2	4	5-1/2	7	8-1/2
"D" Dimension 1"	2-3/4	4-1/2	6-1/4	8	9-3/4

Number of Slots	6	7	8	9	10
"D" Dimension 1/2"-3/4"	10	11-1/2	13	14-1/2	16
"D" Dimension 1"	11-1/2	13-1/4	15	16-3/4	18-1/2

The suffix "-wide" will add 1/8" to the flange width and 1/4" to the overall dimension.

DESCRIPTION:

- Type II is for plaster or tile mount with flange frame.
- For 1/2" slot, center T extrusion changes to 1"-outer flange changes to 1-1/8".

MODEL:

ASD TYPE II



ASD TYPE II

Plaster or tile mount with flange frame

OPTIONS:

1. Finish

- ANOD Clear Anodized
- WHITE
- Medium Bronze
- Black
- Custom _____

2. Options

- 1/2" slot; 3/4" slot; 1" slot

PROJECT:

ENGINEER:

CONTRACTOR:

DATE

SERIES

DRAWING NO.