

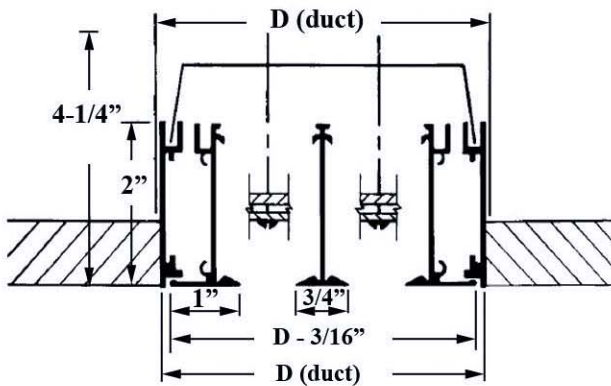
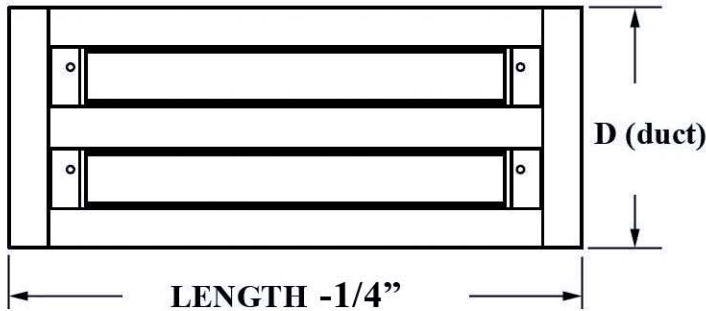
# AIR SLOT DIFFUSERS

NON-HEMMED DUCT WITH ADAPTER TO MUNT FLUSH WITH CEILING

MODELS: ASD TYPE IX

SUSTAINABLE EXTRUDED ALUMINUM

Dimensions are in inches (mm)



Number of Slots	1	2	3	4	5
"D" Dimension 1/2"-3/4"	2-15/16	4-7/16	5-15/16	7-7/16	8-15/16
"D" Dimension 1"	3-3/16	4-15/16	6-11/16	8-7/16	10-3/16

Number of Slots	6	7	8	9	10
"D" Dimension 1/2"-3/4"	10-7/16	11-15/16	13-7/16	14-15/16	16-7/16
"D" Dimension 1"	11-15/16	13-11/16	15-7/16	17-3/16	18-15/16

The suffix "-wide" will add 1/8" to the flange width and 1/4" to the overall dimension.

### DESCRIPTION:

- Type IX is non-hemmed duct with adapter to mount flush with ceiling. For 1/2" slot, center T extrusion changes to 1"-outer flange changes to 1-1/8".

### MODEL:

## ASD TYPE IX



### ASD TYPE IX

Non-hemmed duct with adapter to mount flush with ceiling.

### OPTIONS:

#### 1. Finish

- ANOD Clear Anodized
- WHITE
- Medium Bronze
- Black
- Custom \_\_\_\_\_

#### 2. Options

- 1/2" slot; 3/4" slot; 1" slot

PROJECT:

ENGINEER:

CONTRACTOR:

DATE

SERIES

DRAWING NO.