

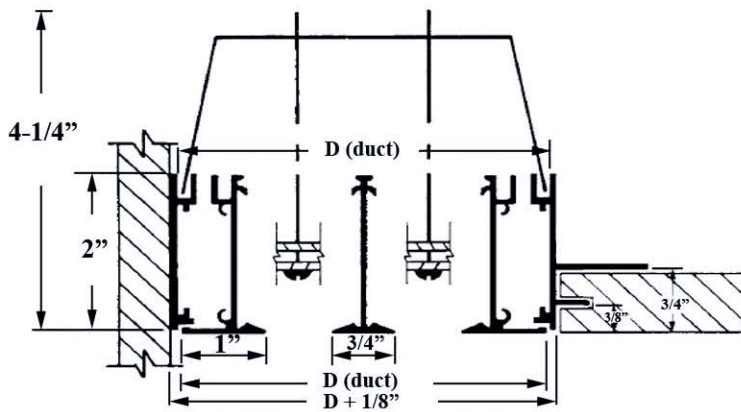
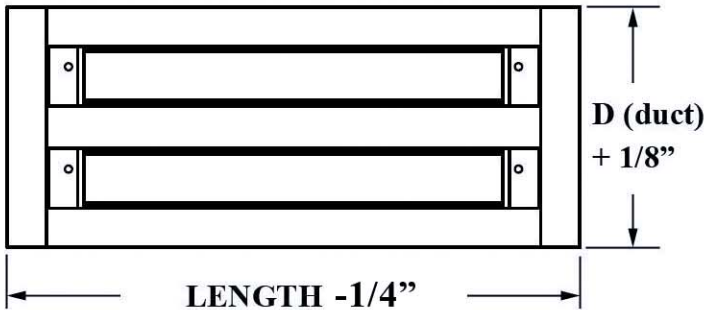
# AIR SLOT DIFFUSERS

WALL ONE SIDE ADJOINING TO PLASTER OR TILE WITH FLUSH FRAME

MODELS: ASD TYPE XIII

SUSTAINABLE EXTRUDED ALUMINUM

Dimensions are in inches (mm)



MODEL:

## ASD TYPE XIII



**ASD TYPE XIII**

Wall one side adjoining to plaster or tile with flush frame.

Number of Slots	1	2	3	4	5
"D" Dimension 1/2"-3/4"	2-13/16	4-5/16	5-13/16	7-5/16	8-13/16
"D" Dimension 1"	3-1/16	4-13/16	6-9/16	8-5/16	10-1/16
Number of Slots	6	7	8	9	10
"D" Dimension 1/2"-3/4"	10-5/16	11-13/16	13-5/16	14-13/16	16-5/16
"D" Dimension 1"	11-13/16	13-9/16	15-5/16	17-1/16	18-13/16

**OPTIONS:**

1. Finish

- ANOD Clear Anodized
- WHITE
- Medium Bronze
- Black
- Custom \_\_\_\_\_

2. Options

- 1/2" slot; 3/4" slot; 1" slot

The suffix "-wide" will add 1/8" to the flange width and 1/4" to the overall dimension.

**DESCRIPTION:**

1. Type XIII is for wall one side adjoining to plaster or tile with flush frame. For 1/2" slot, center T extrusion changes to 1"-outer flange changes to 1-1/8".

PROJECT:

ENGINEER:

CONTRACTOR:

DATE

SERIES

DRAWING NO.