

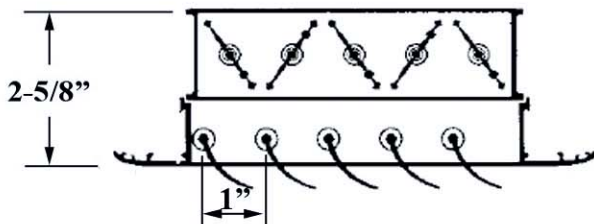
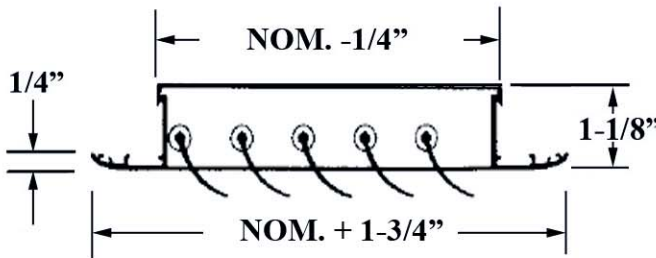
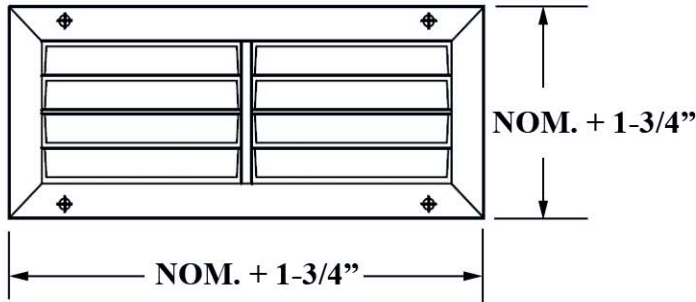
**LINEAR BAR DIFFUSERS**

CURVED LINEAR DIFFUSERS

MODELS: CLD1, CLDOB1, CLD2, CLDOB2

SUSTAINABLE EXTRUDED ALUMINUM

Dimensions are in inches (mm)



**MODEL:**

**CLD2**



- CLD1**  
Curvilinear diffuser in 1-way air pattern
- CLDOB1**  
Curvilinear diffuser in 1-way air pattern with OB damper
- CLD2**  
Curvilinear diffuser in 2-way air pattern
- CLDOB2**  
Curvilinear diffuser in 2-way air pattern with OB damper

**OPTIONS:**

1. Finish
  - ANOD Clear Anodized
  - WHITE
  - MB Medium Bronze
  - B Black
  - Custom \_\_\_\_\_
2. Other
  - CLD-OB-FL1
  - CLD-OB-FL2
  - CLD-T1
  - CLD-T2
  - CLDT-OB1
  - CLDT-OB2

**DESCRIPTION:**

1. Frame and blades are 6063 extruded aluminum alloy and 200-R1 satin anodized finish.
2. The frame has a typical wall thickness of .050". At the outer edge of the frame is a specially engineered channel which retains an extruded flexible vinyl bulb gasket that produces a positive air seal at the mounting surface, minimizing smudging.
3. The mounting holes are dimpled, allowing for a counter-sunk fastener head appearance.
4. The blades are curved in design, individually adjustable and spaced 1" on center.
5. An optional opposed blade damper mounts with a series of spring clips and is screwdriver-operated through the face of the unit. Suitable for ceiling application.
6. Available in clear anodized, white or a variety of custom colors.

PROJECT:

ENGINEER:

CONTRACTOR:

DATE

SERIES

DRAWING NO.