

RETURN GRILLES AND REGISTERS SERIES

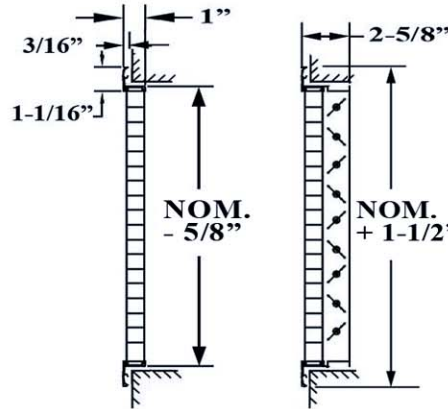
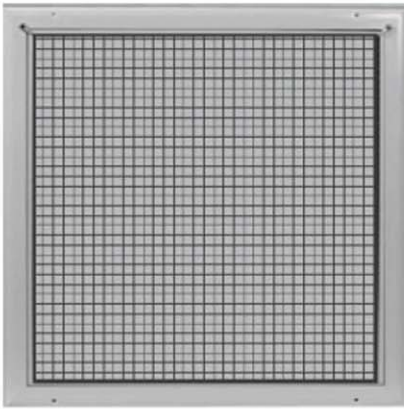
EGG CRATE RETURN GRILLES AND REGISTERS

MODELS: RAAGME(OB), RAAGME 1X1X1, RAPME (OB)

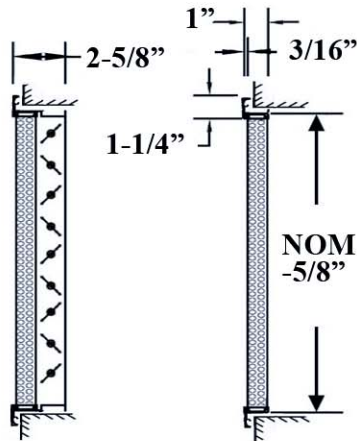
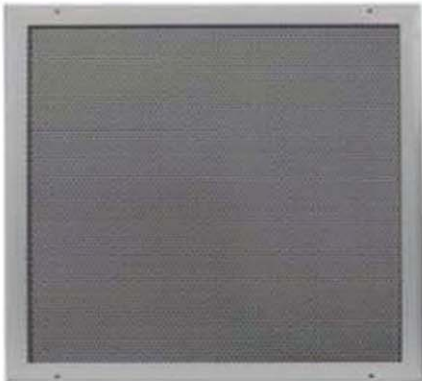
SUSTAINABLE EXTRUDED ALUMINUM

Dimensions are in inches (mm)

RAAGME



RAPME



RAAGME

Egg crate return grille with square contour frame.

RAAGME-OB

Egg crate return grille with square contour frame and opposed blades damper.

RAPME

Return grille with aluminum plate and square contour frame.

RAPME-OB

Return grille with aluminum plate, square contour frame and opposed blades damper.

DESCRIPTION:

1. The Model RAAGME utilizes 1/2" x 1/2" x 1/2" or 1" x 1" x 1" woven mill-finish aluminum eggcrate .015" thick and has square contour frame. Frame and blades are 6063 extruded aluminum alloy with 200-R1 satin anodized finish.
2. The Model RAPME utilizes a .032" thick aluminum plate with perforated holes 3/16" in diameter and 1/4" on center, painted with a white lacquer white.
3. The frame mounting holes are dimpled, allowing for a counter-sunk fastener head appearance.
4. An optional opposed blade damper is attached to the return grille with positive-locking spring clips. It has the same aluminum construction and is screwdriver-operated through the face of the unit.
5. Available in clear anodized, white or a variety of custom colors.

OPTIONS:

1. Finish

- ANOD Clear Anodized
- WHITE
- MB Medium Bronze
- B Black
- Custom _____

PROJECT:

ENGINEER:

CONTRACTOR:

DATE

SERIES

DRAWING NO.