

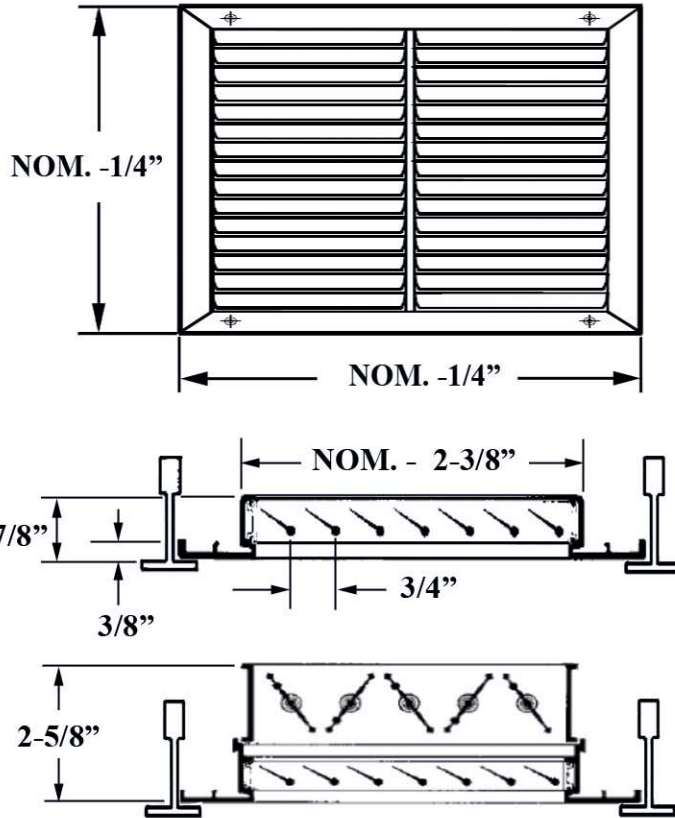
T-BAR DIFFUSERS

RETURN LAY-IN GRILLES AND REGISTERS FOR T-BAR APPLICATIONS

MODELS: RA-T, RAOB-T

SUSTAINABLE EXTRUDED ALUMINUM

Dimensions are in inches (mm)



MODEL:

RA-T



RA-T

Return air grille to fit T-bar mounting

RAOB-T

Return air register with opposed blade damper for T-bar mounting

DESCRIPTION:

1. The square contour frame and blades are 6063 extruded aluminum alloy with 200-R1 satin anodized finish. The frame has a typical wall thickness of .050", and is separated from the blades by an extruded rigid PVC track that becomes an integral part of the frame. This method of assembly eliminates corrosion and vibration.
2. The blades are in a fixed position. When airfoil in design, they can be mounted only at the fixed 38° and 0° settings and are spaced 3/4" on center.
3. An optional opposed blade damper mounts with a series of spring clips and is screwdriver-operated through the face of the unit. The damper frame is separated from the blades with injection-molded nylon bushings. This will eliminate corrosion and vibration.
4. Suitable for T-bar applications.

OPTIONS:

1. Finish

- ANOD Clear Anodized
- WHITE
- MB Medium Bronze
- B Black
- Custom _____

2. Other

- RAME,RAME-CB
- RAME-CB-OB, RAME-CB-OB-PLT
- RAME-OB-PLT

PROJECT:

ENGINEER:

CONTRACTOR:

DATE

SERIES

DRAWING NO.