

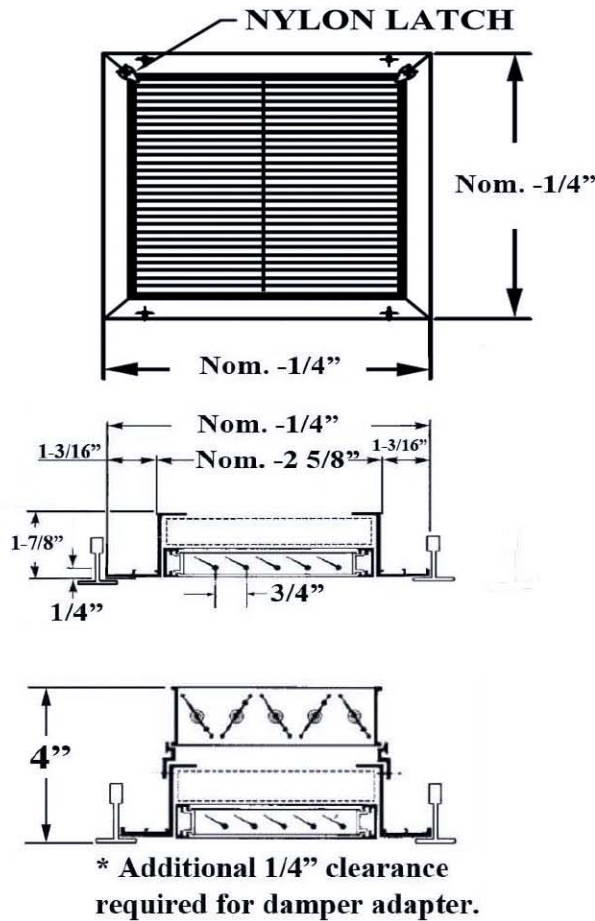
T-BAR DIFFUSERS

RETURN FILTER LAY-IN GRILLES AND REGISTERS FOR T-BAR APPLICATIONS

MODELS: RF2-T, RF2OB-T

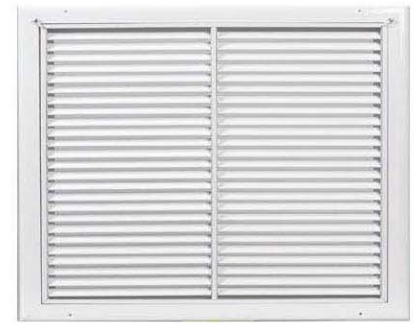
SUSTAINABLE EXTRUDED ALUMINUM

Dimensions are in inches (mm)



MODEL:

RF2T



RF2-T

Return filter lay-in grille for T-Bar applications.

RF2OB-T

Return filter lay-in grille with opposed blades damper for T-Bar applications.

OPTIONS:

1. Finish

- ANOD Clear Anodized
- WHITE
- MB Medium Bronze
- B Black
- Custom _____

2. Other

- RF-2, RF-2-0°, RF-2-CB
- RF-2-OB, RF-2-0°-CB, RF-2-CB-OB
- RF2-0°-OB-T, RF2-CB-OB-T
- RF2-OB-PLT, RF2-0°-OB-PLT, RF2-CB-OB-PLT

DESCRIPTION:

1. The Model RF2-T is assembled in a two-part system: one is the mounting frame that serves as a retainer for the filter, the other is the core that provides easy access to the filter. This core swings in and out of the mounting frame by means of two concealed pivot pins, and is held in place by two injection-molded nylon locking devices permanently attached to the mounting frame and located at the two corners opposite the pin side.
2. An optional opposed blade damper is screwdriver-operated through the face of the unit and has the same extruded aluminum construction. The damper frame is separated from the blade with nylon bushings.
3. Suitable for T-bar applications.
4. Available in clear anodized, white or a variety of custom colors.

PROJECT:

ENGINEER:

CONTRACTOR:

DATE

SERIES

DRAWING NO.