



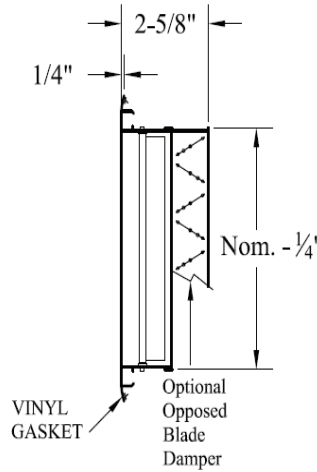
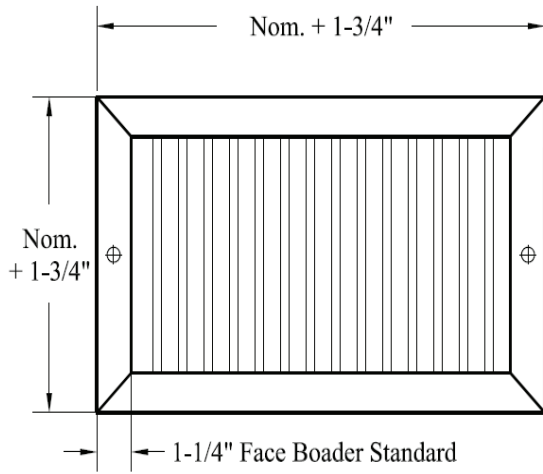
SIDEWALL SERIES

SINGLE DEFLECTION SUPPLY GRILLES AND REGISTERS

MODELS: V, V-OB, H, H-OB

SUSTAINABLE EXTRUDED ALUMINUM

Dimensions are in inches

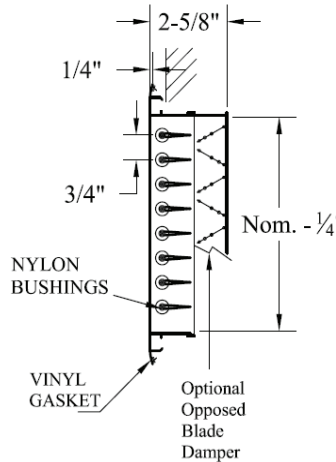
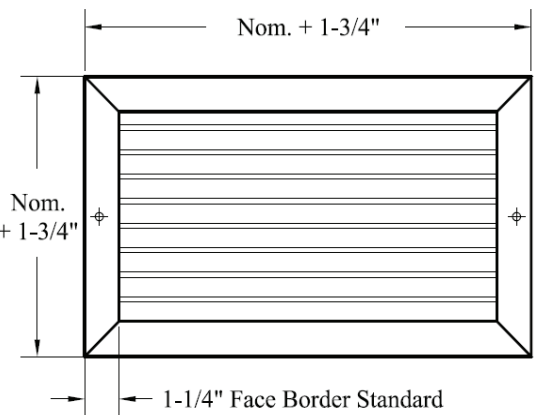


V

Single Deflection Supply Grille with Vertical Blades.

V-OB

Single Deflection Supply Register with Vertical Blades (includes OB Damper).



H

Single Deflection Supply Grille with Front Blades Parallel to the Horizontal Dimension.

H-OB

Single Deflection Supply Register with Front Blades Parallel to the Horizontal Dimension (includes OB Damper).

DESCRIPTION:

1. Construction: 6063 Extruded aluminum frame mechanically interlocked with hairline mitered corner for strength. A single set of 6063 extruded aluminum blades on with 3/4" spacing provides air control in a single plane. Blades are individually adjustable with zero metal-to-metal contact with the use of nylon bushings to eliminate noise, corrosion and vibration. Extruded flexible vinyl gasket is standard and produces a perfect positive air seal.
2. Optional screwdriver operated opposed blade damper with nylon bushings.
3. All blades are airfoil in design, individually adjustable and spaced 3/4" on center. At the outer edge of the frame is a specially engineered channel which retains an extruded flexible vinyl bulb gasket that produces a positive air seal at the mounting surface, minimizing smudging.
4. Standard fastening is countersunk screw holes.
5. Standard finish is White.

OPTIONS:

1. Finish

- White
- ANOD Clear Anodized
- Medium Bronze
- Black
- Custom _____

2. Options

- OBFL (Fire link)
- PF (Plaster Frame)
- PLT

3. Frame style

- Beveled Frame Available
- ME (square contour) Frame

PROJECT:

ENGINEER:

CONTRACTOR:

DATE

SERIES

DRAWING NO.